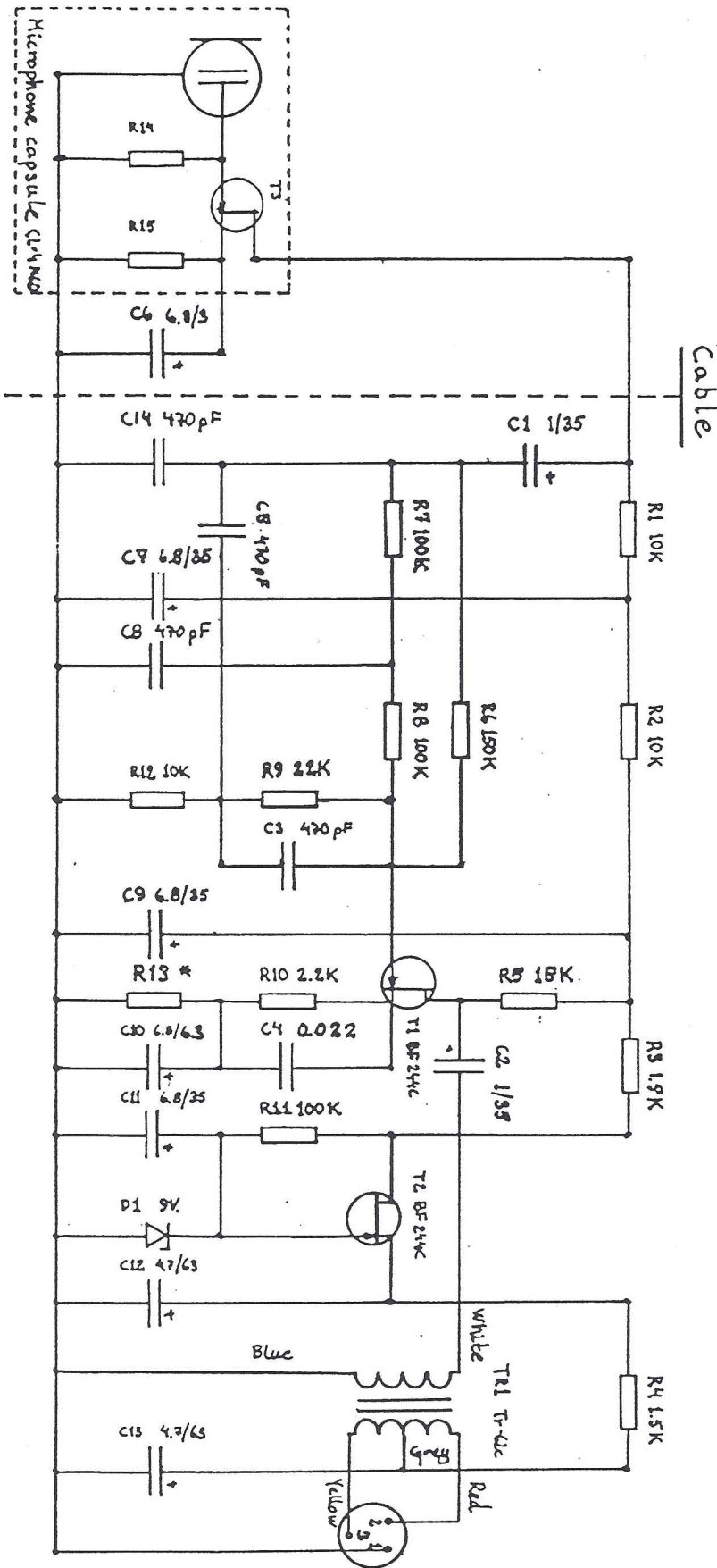


T3 R14 R15
are built in.

Head
Amplifier

R13 and T1 are matched.



circuit diagram

Det.-nr	Ant.	Benämning			Material	Mod.-nr Ämne Dimension	Anm.	
Konstr.	Ritad	Kop.	Kontr.	Stand.	Godk.	Skala	Ersätter	Ersatt av
	PeO						3000	
<p>Milab Milab International AB</p> <p style="font-size: 2em; text-align: center;">MP-30</p>								Dat. 87.04.21
							Ritn.-nr	