



Pearl WCM 90 Cardioid Condenser Microphone

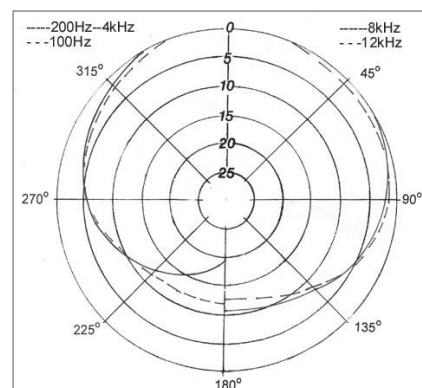
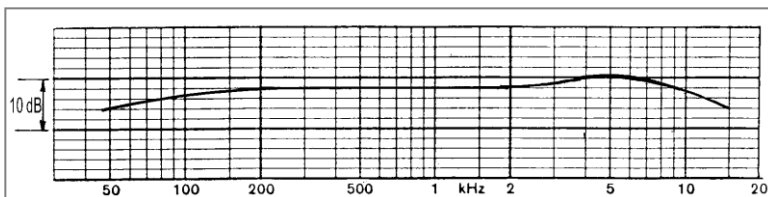
WCM 90 is designed for use at wind instrument. The microphone can easily be fitted at the bell by a clamp. A gooseneck between microphone head and the clamp optimise to direct the head. The gooseneck and the microphone element are rubber insulated. The preamp at the end of the cable has an integrated 3-pin XLR connector.

WCM 90 is finished in black ED-lacquer.

Delivered with soft fabric bag for keeping the microphone in the instrument bell.

Specification:

Polar pattern:	Cardioid
Sensitivity:	8 mV/Pa (only WCM 90)
Self Noise:	18 dBA
Operation voltage:	48V Phantom
Current consumption:	1,6 mA
Frequency response:	40 Hz-18kHz
Max SPL for 0,5% THD:	136 dB
Min. rec. Load imp.:	1 K ohms
Connector:	3-pin XLR Male
Weight:	100 grams (only mic.)



RoHS Compliant
Directive 2002/95/EC