

# Pearl

## Pearl Condenser Microphone TLC 90

Specially made for live performance

TLC 90 is a microphone with a number of advantages. To begin from the top, you can easily remove the front net for cleaning. Further, the top part of the body is designed to prevent you to hold your hand over the back openings (and counteract the very low feedback). An internal shockmount at the capsule reduces handling noise.

A red LED on the front side of the microphone illuminates when phantom power is connected.

Finally, the construction is very strong and resists tough handling.

Finishing in durable black powder paint.

Delivered with a stand adapter.

### Accessories:

Shockmount: 1930

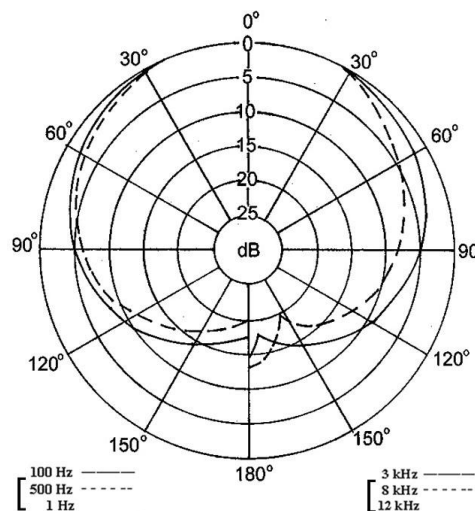


### Specification:

Polar pattern	Cardioid
Sensitivity:	8 mV/Pa
Frequency response:	See graph
Min. rec. Load imp:	1 kohms
Operating voltage:	30-48V
Current consumption:	1,25 mA
Self Noise IEC-179:	23 dBA
Max SPL for 0,5% THD:	144 dB
Dimensions:	170x37/25 mm
Connector:	3 pin XLR
Weight:	290 grams



Shockmount 1930



TLC 90 Frequency response 0 and 180 degree resp.

