

Pearl TL 6 / TL 66 Condenser Microphone

A small microphone available with either cardioid or omni patterns or sensitivities of 80 or 12 mV/Pa. The output is transformerless and low noise. Those microphones are useful in many sound environments. The high level model is suitable for working at long distances from the sound source, such as ambience or from an audience. The low level model is more suitable for PA use or for choirs and drums. Used mono or as a stereo pair it is ideal for music and radio stations.

A major feature is the very accurate reproduction of percussion instruments.

Finished in black ED-lacquer.

TL 6 / TL 66 come in a card board tube.

Accessories:

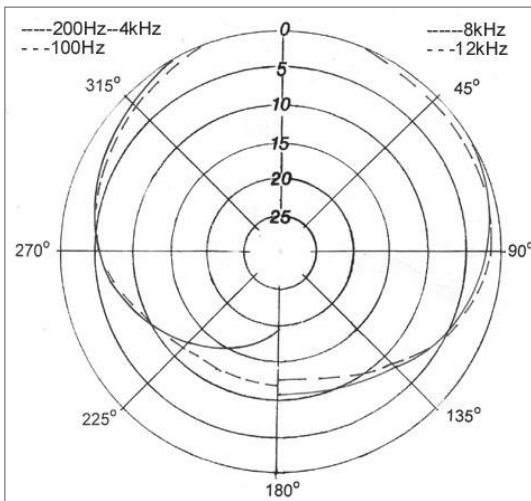
Windscreens: 1720

Stand adapter: 1820

Shockmount: 1921



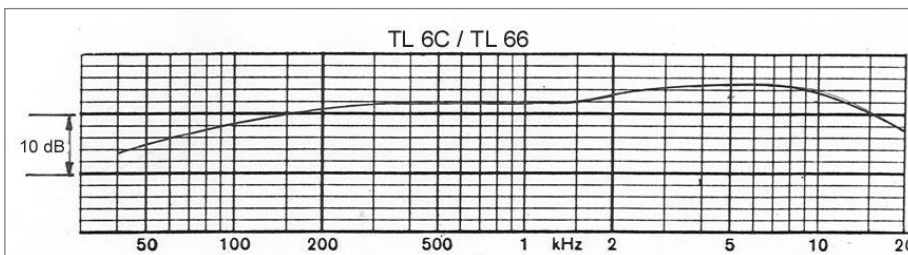
Specification:	TL 6C	TL 66
Polar Pattern:	Cardioid	Cardioid
Sensitivity:	80 mV/Pa	12 mV/Pa
Rec. min. load imp	6 Kohms	1 Kohms
<hr/>		
Self noise IEC-179A:	18 dBA	Impedance: 500 ohms
Operating voltage:	30-48 V	Connector: 3-pin XLR
Current consumption:	1,3 mA	Dimensions: 116x21 mm
Max SPL:	130 dB	Weight: 115 grams



1820



1921



RoHS Compliant
Directive 2002/95/EC