

Pearl MSH 10 MS-Stereo Shotgun Condenser Microphone

Pearl MSH 10 is specially made for MS recording of TV, Video and Film Production. A short shotgun with hypercardioid and figure-of-eight capsule system deliver the middle and side signal. The microphone is light, an advantage for using on a pole. M and S channels are output independently for external processing. The microphone requires phantom power and there is no need for any extra units. The amplifier provides low noise and transformer-less output. The MSH 10 is resistant against bad environments as moisture, dust, change in temperature etc. An LED illuminates when Phantom power is connected. Finished in durable black ED-lacquer. The MSH 10 comes in a wooden box with Pearl Lyre Suspension 1930.

N.B. The MSH 10 has to be connected to a balanced input and both channels to 48 volts Phantom Power.

Other accessories:

Cable: 533/10
 Windscreen: Rycote Softie or Pearl 1730
 Windscreen: Rycote Pearl MS Pistol Grip Suspension



Pearl MSH 20 Stereo Shotgun Condenser Microphone

Pearl MSH 20 is specially made for recording of TV, Video and Film Production in MS-stereo. A short shotgun with hypercardioid and figure-of-eight capsule system deliver the middle and side signal who are combined by an internal matrix to produce Left and Right output. The microphone requires phantom power and there is no need for any extra units. The MSH 20 is resistant against bad environments as moisture, dust, change in temperature etc. An LED illuminates when phantom power is connected. Finished in durable black ED-lacquer. The MSH 20 comes in a wooden box with Pearl Lyre Suspension 1930.

N.B. The MSH 10 has to be connected to a balanced input and both channels to 48 volts Phantom Power.

Other accessories:

Cable: 533/10
 Windscreen: Rycote Softie or Pearl 1730
 Windscreen: Rycote Pearl MS Pistol Grip Suspension



1930

MSH 10

Specification:

Output: Hypercard. /Fig. of eight
 Sensitivity: 20 mV/Pa
 Impedance: 500 ohms
 Operating voltage: 48 V
 Rec. min. load imp: 1 Kohms
 Current consumption: 1,6 mA
 Self Noise: 16 dBA
 Max SPL: 130 dB
 Connector: 5-pin XLR
 Dimensions: Ø 28x187 mm
 Weight: 175 grams

MSH 20

Specification:

Output: Left/Right
 Sensitivity: 20 mV/Pa
 Impedance: 500 ohms
 Operating voltage: 48 V
 Rec. min. load imp: 1 Kohms
 Current consumption: 1,7 mA
 Self Noise: 16 dBA
 Max SPL: 130 dB
 Connector: 5-pin XLR
 Dimension: Ø 28x194 mm
 Weight: 180 grams

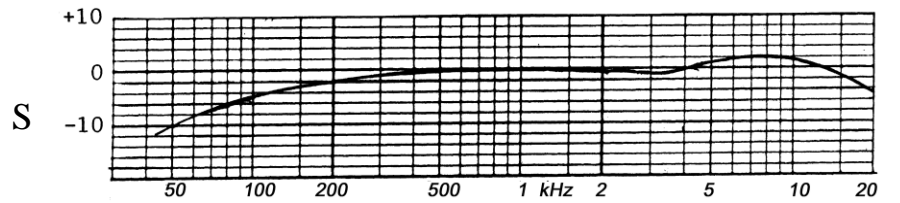
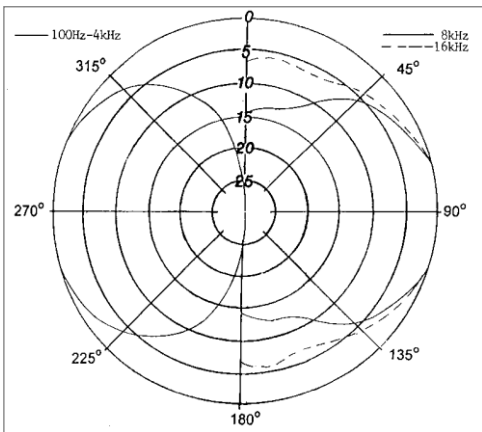
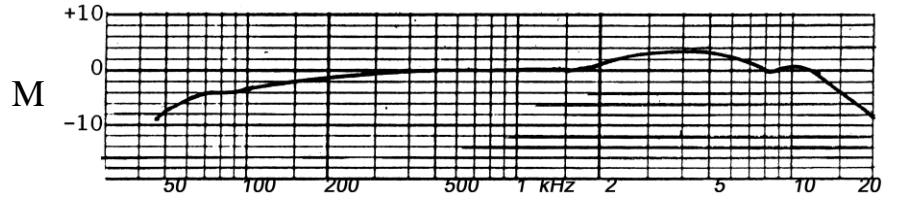
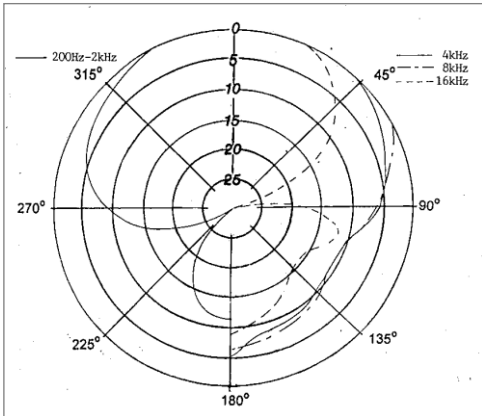


Wooden box



RoHS Compliant
 Directive 2002/95/EC

MSH 10 / MSH 20



MSH 20

Left / Right 30Hz-2000 kHz

